

## Splittegninger og delenummer HS-928C

Deler som ikke har fem-sifret  
Hepro nummer er  
bestillingsvare

Hepro AS

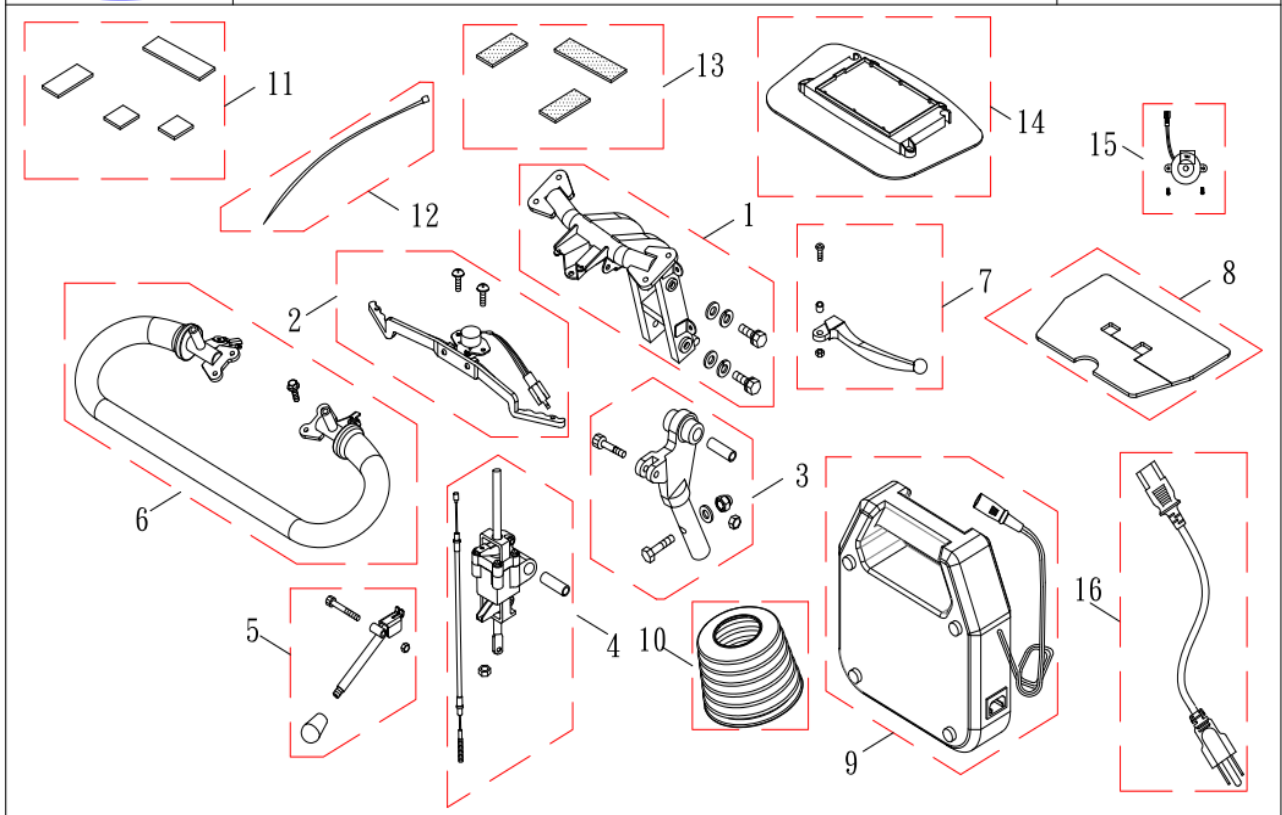
---



# 1. STEERING

HS-928(全單式)

電暖器版. 柴油暖氣版



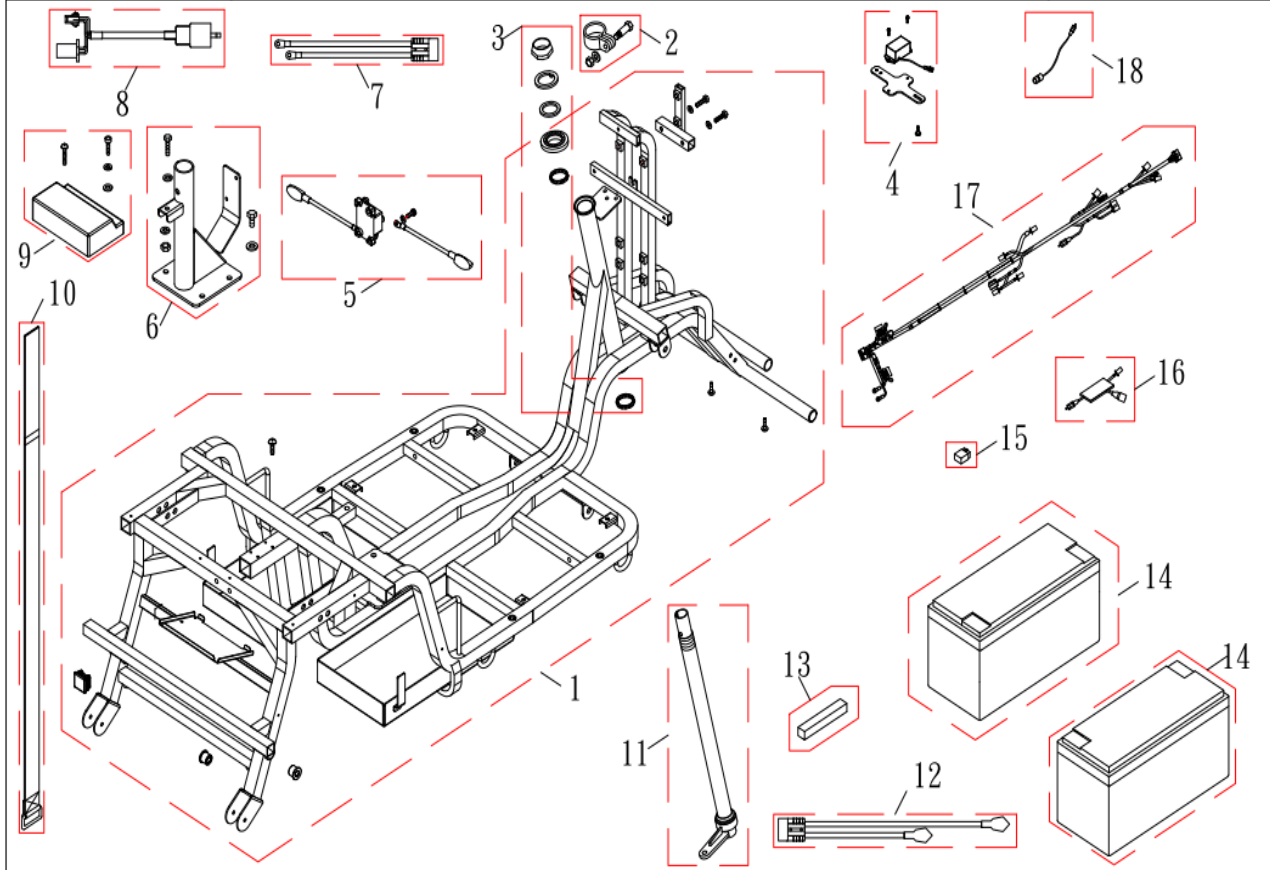
NO	ITEM NUMBER	DESCRIPTION	QTY
1	13148	Styre komplett 928	1
2	S-316300-57001	STARTER ASSEMBLY	1
3	S-325120-89001	JOINT B,STEERING ADJ LOWER	1
4	S-325300-89003	STEERING ADJ ASSEMBLY	1
5	S-325390-92810	REGULATOR ROD	1
6	S-321220-92800	GRIP , HANDLE BAR	1
7	326120-68600	LEVER , BRAKE RIGHT ASSEMBLY	1
8	524335-92800	GUARD	1
9	514812-92800	CHARGER COMP. 24DCV/12.0Amp	1
10	525210-61500	COVER , STEERING JOINT	1
11	S-324335-92800	GUARD,VEL-CRO	1
12	515190-85500	TIE, WIRE HARNESS	1
13	S-342202-58000	V _L-CRO (100L+50L)	1
14	517300-92800	P.C.BOARD	1
15	S-315210-73000	BUZZER COMP.	1
16	514530-66600	WIRE,BATTERY CHARGER (Euro type)	1



## 2. FRONT FRAME

HS-928(全罩式)

電暖器版. 柴油暖器版



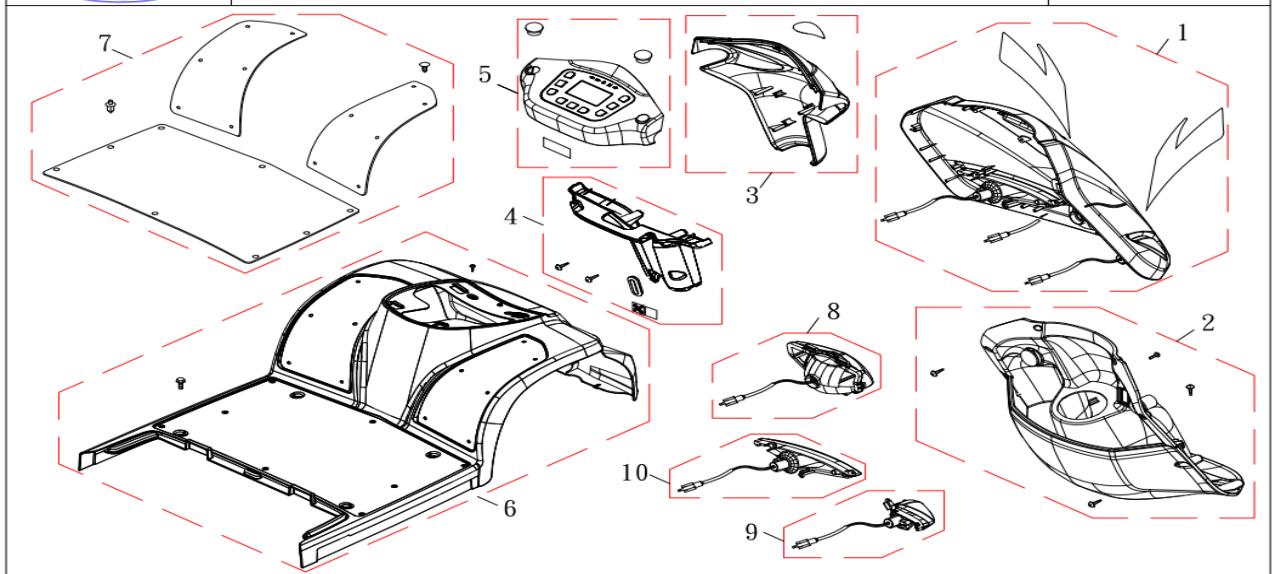
1	S-331100-92823	FRAME COMP., FRONT	1
2	526680-52800		1
3	S-336215-56000	BALLS SET	1
4	12604	Gyro for hastighetsreduksjon i sving	1
5	S-315618-92801	BATTERY, THERMAL CIRCUIT BREAKER	1
6	S-331160-91500	HOLDER, SEAT LOWER BRACKET	1
7	515650-92800	WIRE CONTROLLER SOCKET	1
8	518540-92800	TAILLIGHT FEEDER LINE, R	1
8	518640-92800	TAILLIGHT FEEDER LINE, L	1
9	12603	DCL Controller Rhino2 928 160A	1
10	542220-72000	BAND, BATTERY COMP.	1
11	336110-92800	BAR ASSEMBLY	1
12	515610-92800	WIRE, BATTERY SOCKET	1
13	S-313150-62001	SPONGE	1
14	60006	Batteri Haze HZY12-100EV 100Ah	1
15	12648	Rele for tilbehør	1
16	12649	Carkey PC Board. Kretskort til tilbehør	1



### 3. FRONT SHROUD

HS-928(全罩式)

電暖器版

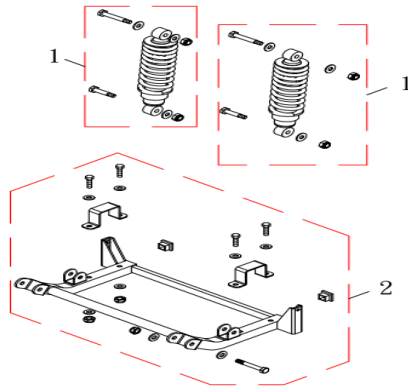


NO	ITEM NUMBER	DESCRIPTION	QTY
1	12880	Deksel, luke til vann/diesel HS-928C	1
2	S-324320-92840	BOX ASSEMBLY, KEY TYPE: A01	1
3	13138	Deksel, styre foran, hvit 928	1
4	13149	Deksel, styre bak	1
5	13137	Deksel til display 928	1
6	12891	Front deksel, dørk HS-928	1
7	13154	Dørk matter 928	1
8	12610	Hovedlys foran (LED)	1
9	12611	Blinklys høyre foran	1
10	12612	Blinklys venstre foran	1



#### 4. REAR FRAME

HS-928(全單式)  
電暖器版, 柴油暖氣版

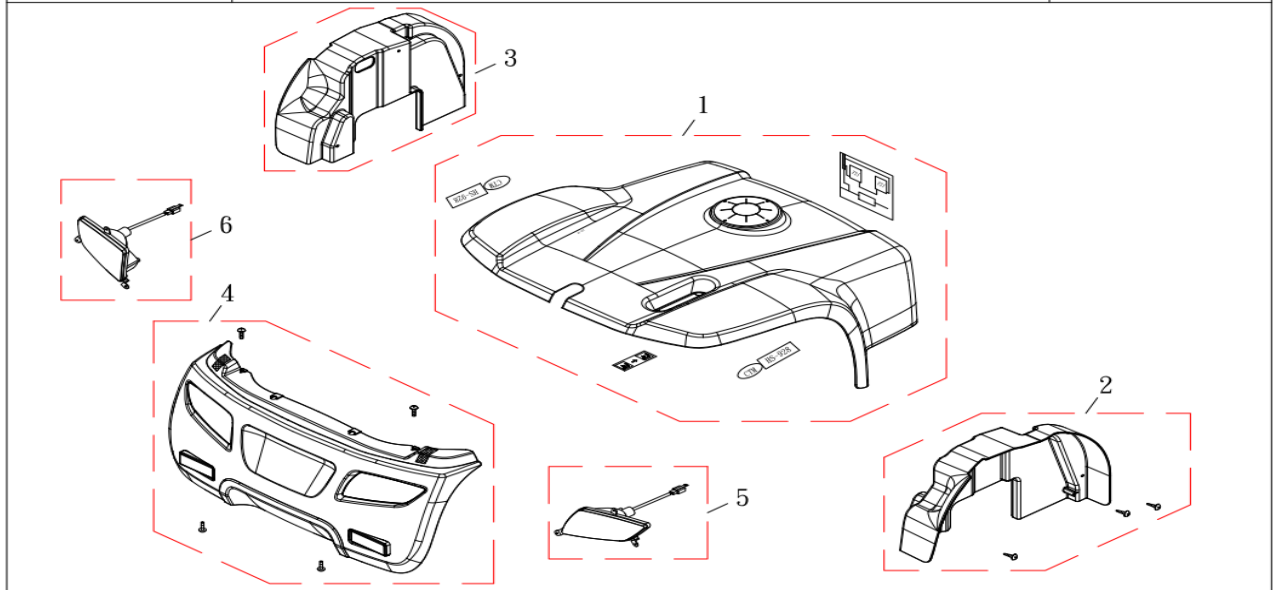


NO	ITEM NUMBER	DESCRIPTION	QTY
1	13155	Støtdemper bak 928	1
2	S-341310-92800	BRACKET , SUSPENSION	1



## 5. REAR SHROUD

HS-928(全單式)  
電暖器版. 柴油暖氣版

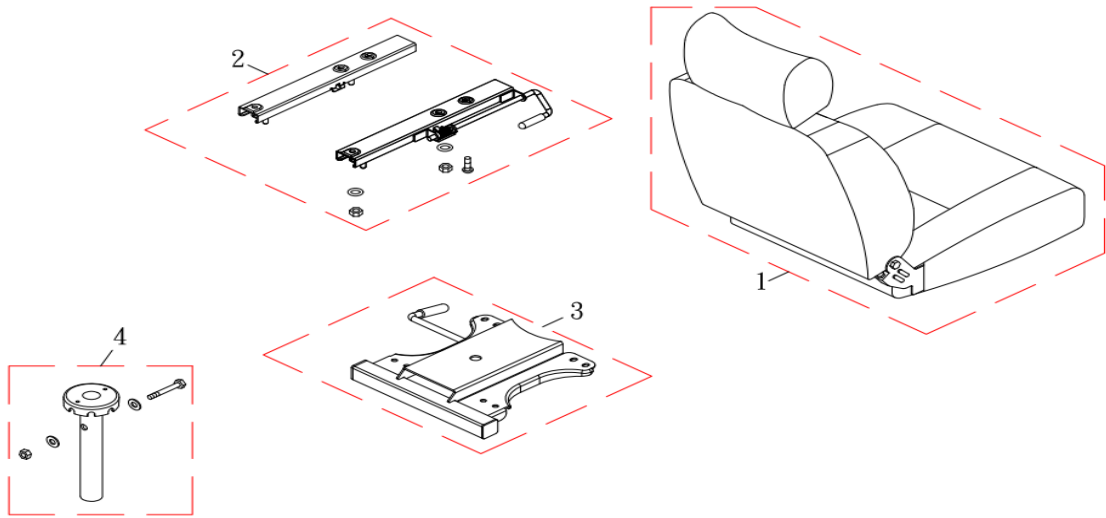


NO	ITEM NUMBER	DESCRIPTION	QTY
1	S-342100-92811-COLOR	SHROUD REAR COMP.	1
2	S-342150-92801	FENDER RIGHT	1
3	S-342160-92801	FENDER LEFT	1
4	S-345100-92800	COVER, BUMPER REAR	1
5	12660	Lampe baklys høyre 928C	1
6	12661	Lampe baklys venstre 928C	1
	12659	Pære, rød til baklys 928C	2



## 6. SEAT

HS-928(全罩式)  
電暖器版/柴油暖器版

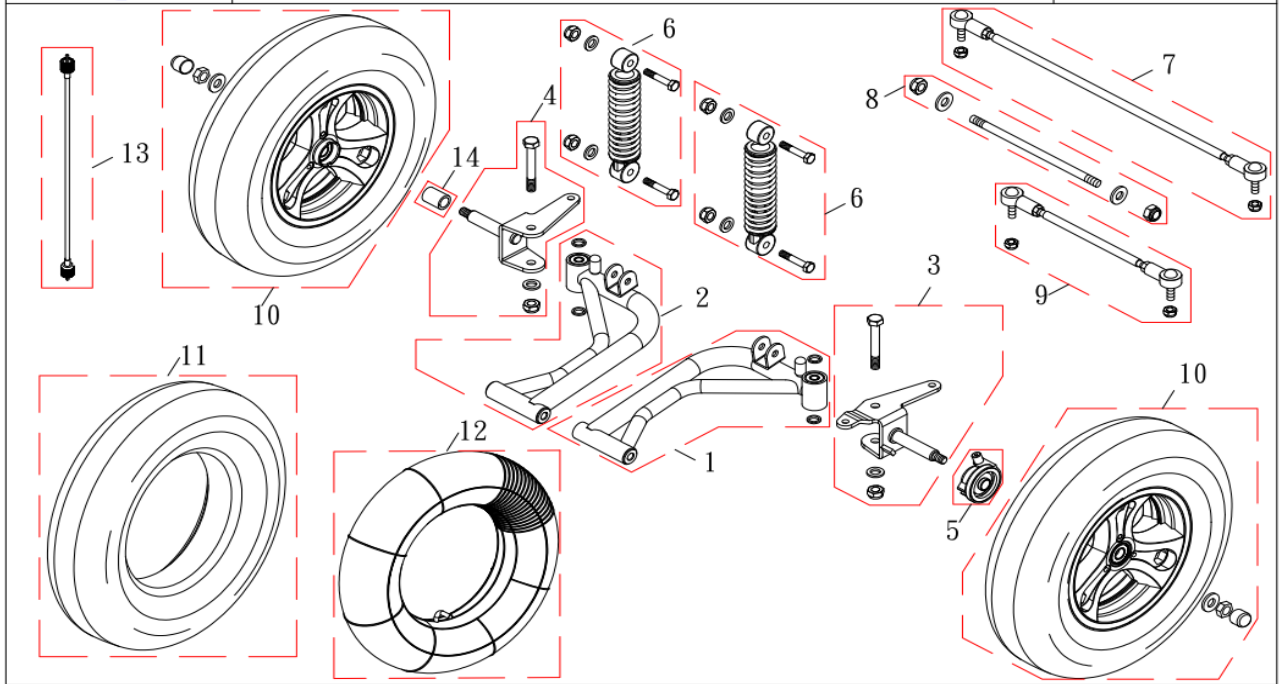


NO	ITEM NUMBER	DESCRIPTION	QTY
1	13801	Sete HS-928C. 18" med armlener	1
2	11709	Glideskinne sete HS-928	1
3	10069	Setebrakett 928C	1
4	S-372410-92830	HOLDER, GUIDE	1



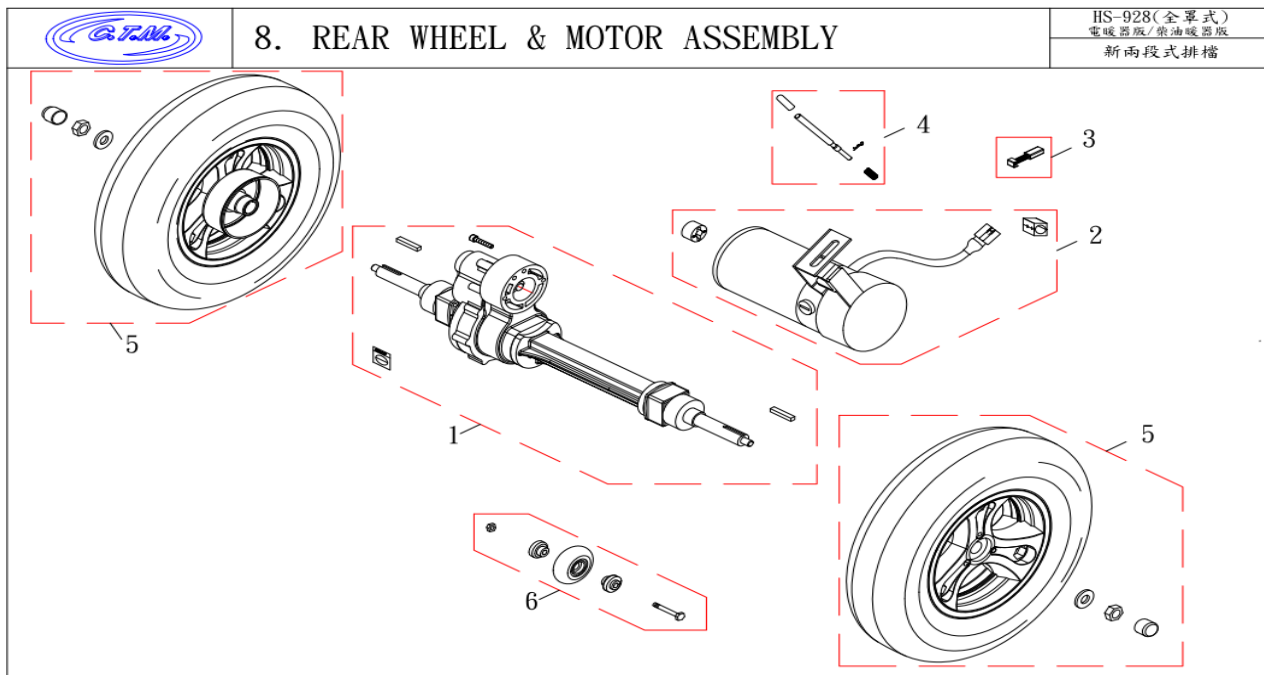
## 7. FRONT WHEEL

HS-928(全罩式)  
電暖器版/柴油暖器版



NO	ITEM NUMBER	DESCRIPTION	QTY
1	12656	Bære bro foran høyre 928	1
2	12657	Bære bro foran venstre 928	1
3	12639	Hjulspindel foran h. side 928	1
4	12663	Hjulspindel foran v. side 928	1
5	517820-92800	METTER GEAR	1
6	12655	Støtdemper foran 928	2
7	12626	Endeledd m kuler - fremre 928	1
8	S-333305-92800	BOLT, SUSEPNSION COMP. (M10X230L)	1
9	12627	Endeledd med kuler bakre 928	1
10	12602	Hjul foran, komplett 928	1
11	561101-92800	TIRE, FRONT WHEEL (3.50-8)	1
12	561102-92800	TUBE, FRONT TIRE (3.50-8)	1
13	517830-92801	WIRE, METTER GEAR	1
14	12641	Hylse til hjulspindel 928	1





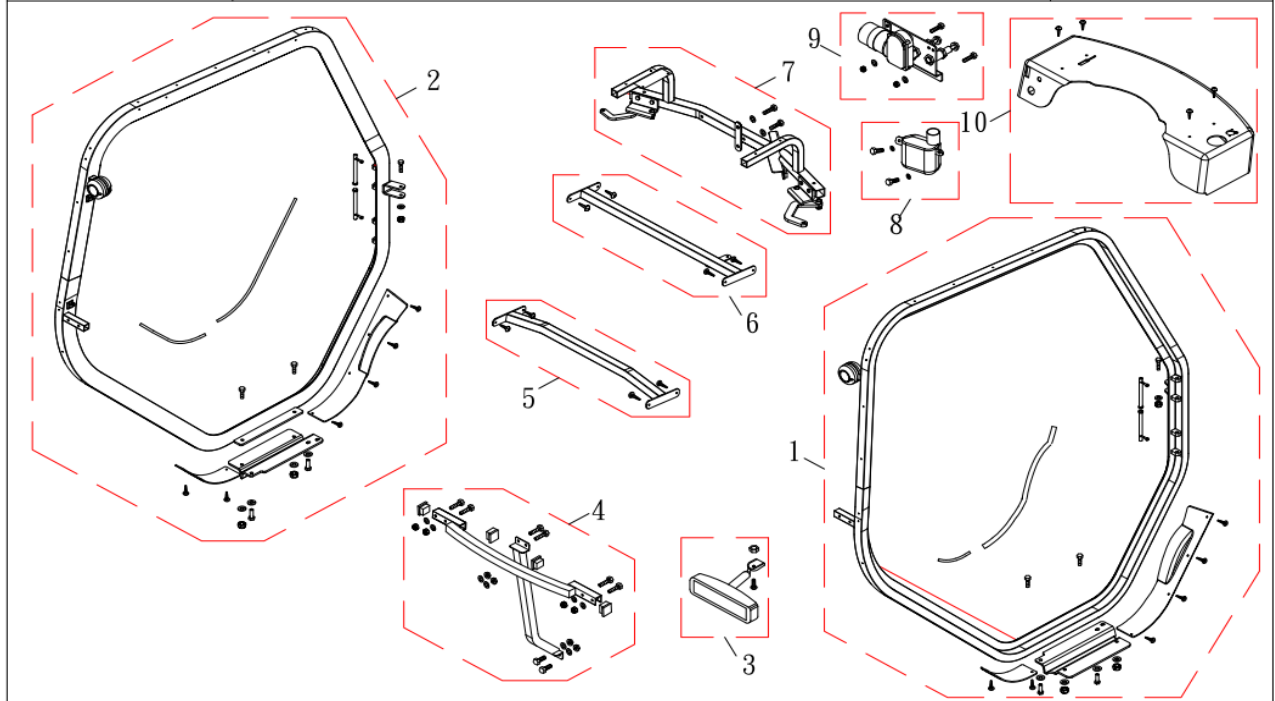
NO	ITEM NUMBER	DESCRIPTION	QTY
1	12615	Transaksel 10 km/t HS-928	1
2	12616	Motor med EMB 928 10 km/h	1
3	11836	Børste Karbon til motor HS-928	1
3	S-311113-71120	GRAPHITE BRUSH	1
4	S-345210-53900	LEVER, CLCTCH ASSEMBLY	1
5	12617	Hjul bak, komplett HS928	1
6	S-364340-56000	WHEEL, ANTI-TIPPER	1



## 9. CAR FRAME

HS-928(全單式)

電暖器版



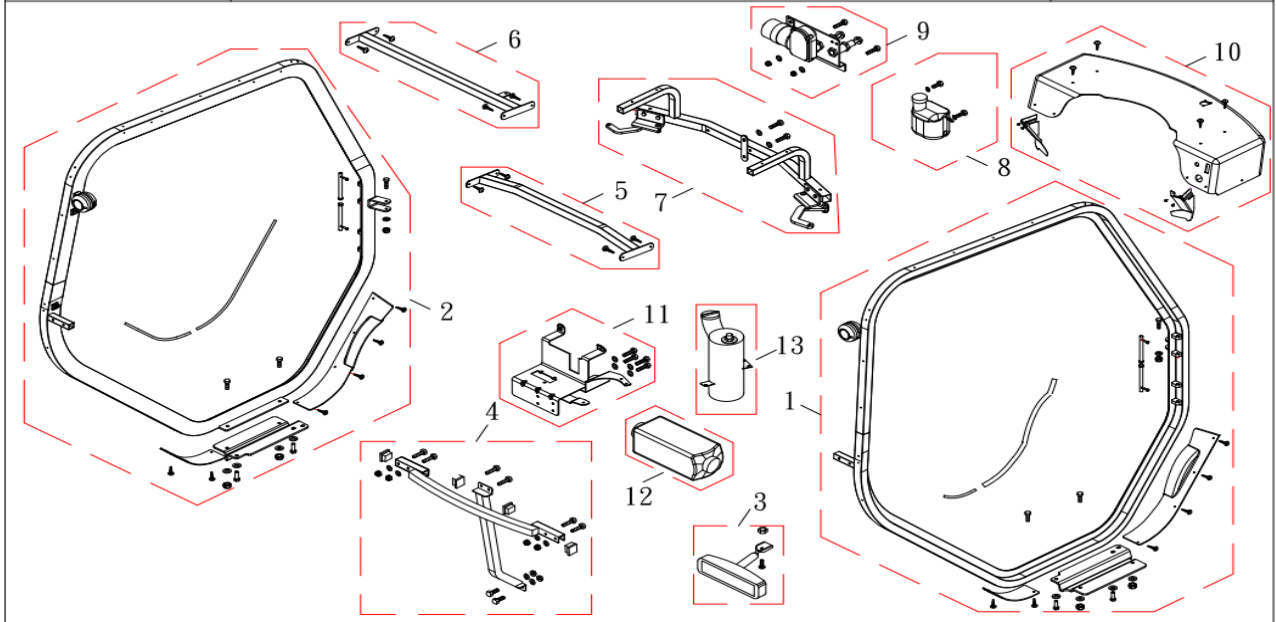
NO	ITEM NUMBER	DESCRIPTION	QTY
	.	Dør komplett venstre	1
	12645	Dør komplett høyre	1
1	S-376460-92810	MONOCOQUE FRAME COMP. R	1
2	S-376470-92810	MONOCOQUE FRAME COMP. L	1
3	S-376690-92800	REARVIEW MIRROR	1
4	S-376770-92821	AFTER CONNECTING PIPE	1
5	S-376760-92801	AFTER CONNECTING PIPE WITH THE SKELETON	1
6	S-376840-92802	BEFORE CONNECTING PIPE WITH THE SKELETON	1
7	S-376780-92813	BEFORE CONNECTING PIPE COMP	1
8	S-376585-92810	TANK GROUP	1
9	S-311600-92800	WIPER ELECTRIC MOTOR ASSEMBLY	1
10	S-376480-92802	BEFORE RAMP COVER FRONT COMP.	1



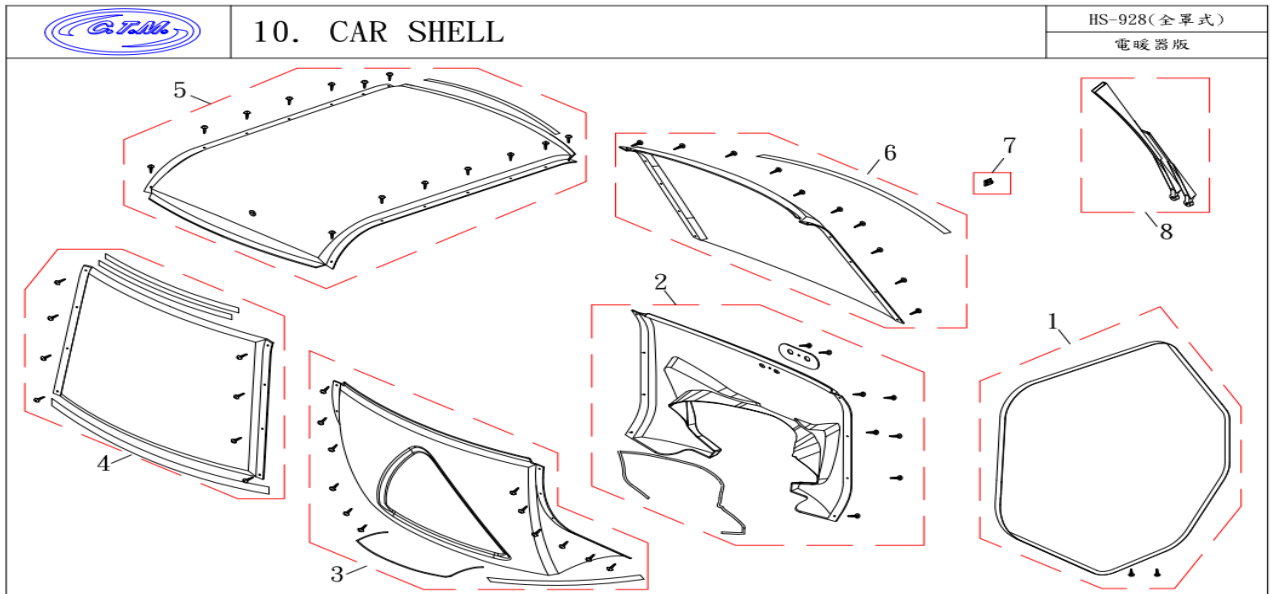
## 9. CAR FRAME

HS-928(全罩式)

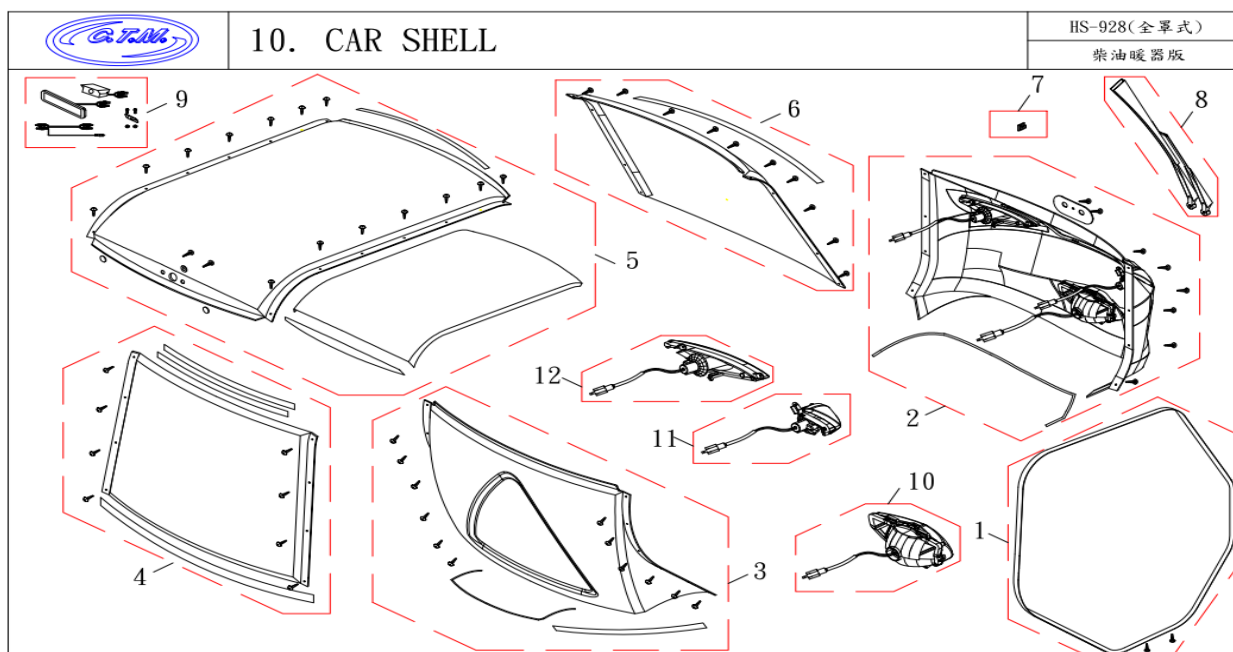
柴油暖器版



NO	ITEM NUMBER	DESCRIPTION	QTY
1	S-376460-92810	MONOCOQUE FRAME COMP. R	1
2	S-376470-92810	MONOCOQUE FRAME COMP. L	1
3	12637	Speil med skjerm for ryggekamera	1
4	S-376770-92821	AFTER CONNECTING PIPE	1
5	S-376760-92801	AFTER CONNECTING PIPE WITH THE SKELETON	1
6	S-376840-92802	BEFORE CONNECTING PIPE WITH THE SKELETON	1
7	S-376780-92820	BEFORE CONNECTING PIPE COMP	1
8	S-376585-92810	TANK GROUP	1
9	S-311600-92800	WIPER ELECTRIC MOTOR ASSEMBLY	1
10	S-376480-92810	BEFORE RAMP COVER FRONT COMP.	1
11	S-376700-92800	DIESEL HEATER MOUNT COMP.	1
12	11413	Eberspacher sett	1
13	11455	Dieseltank til varmer HS 928	1



NO	ITEM NUMBER	DESCRIPTION	QTY
1	S-376900-92811	CASING OUTSIDE THE SEALING STRIP, R/L	1
2	S-376420-92800-COLOR	BEFORE COVER UPPER	1
3	S-376450-92800-COLOR	AFTER COVER UPPER	1
4	S-376440-92800	AFTER THE TRANSPARENT COVER	1
5	S-376430-92800-COLOR	COVER UPPER	1
6	12600	Frontrute	1
7	P22417	CORD CLIP 26/8mm	1
8	12669	Vindusvisker komplett 928C, uten motor	1

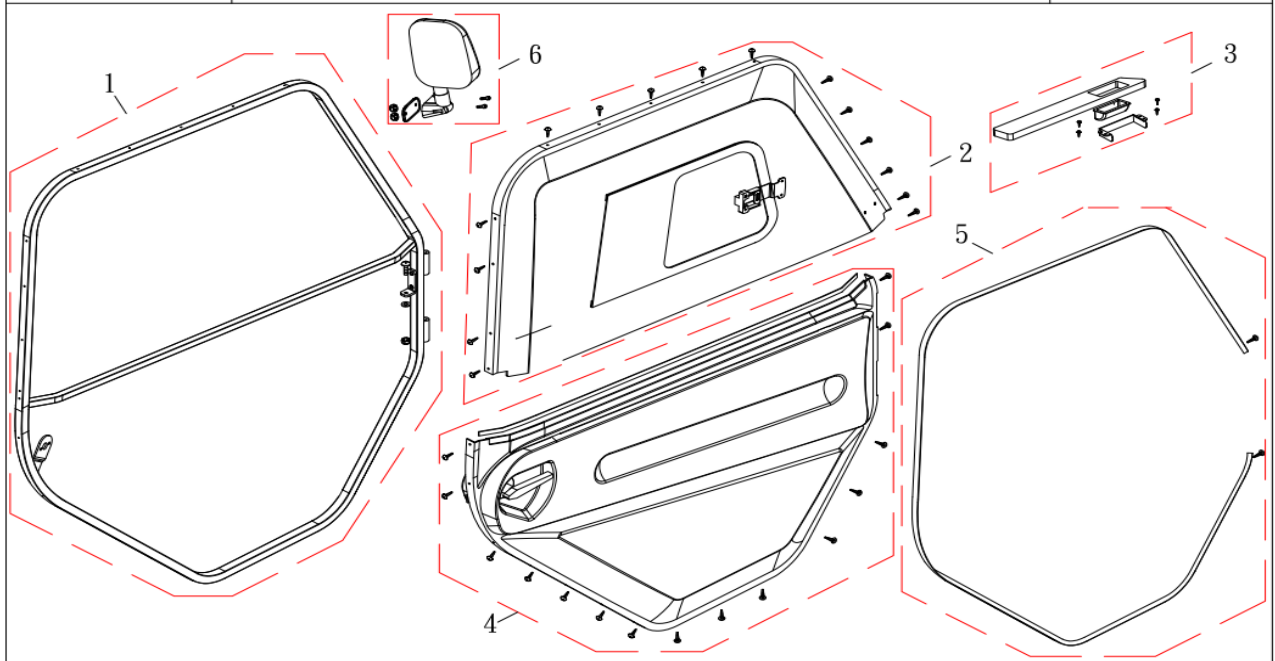


NO	ITEM NUMBER	DESCRIPTION	QTY
1	S-376900-92811	CASING OUTSIDE THE SEALING STRIP, R/L	1
2	S-376420-92811-COLOR	BEFORE COVER UPPER ASSEMBLY	1
3	S-376450-92800-COLOR	AFTER COVER UPPER	1
4	S-376440-92800	AFTER THE TRANSPARENT COVER	1
5	S-376430-92810-COLOR	COVER UPPER	1
6	12600	Frontrute	1
7	P22417	CORD CLIP 26/8mm	1
8	376581-92801/12601	WIPER DOUBLE FRAME ASSEMBLY	1
9	319500-92800/12613	REAR VIEW VIDEO COMP	1
10	318100-92810	HEAD LAMP COMP	1
11	12611	Blinklys 928 høyre foran	1
12	12612	Blinklys 928 venstre foran	1



## 11. RIGHT DOOR

HS-928(全罩式)  
電暖器版. 柴油暖器版

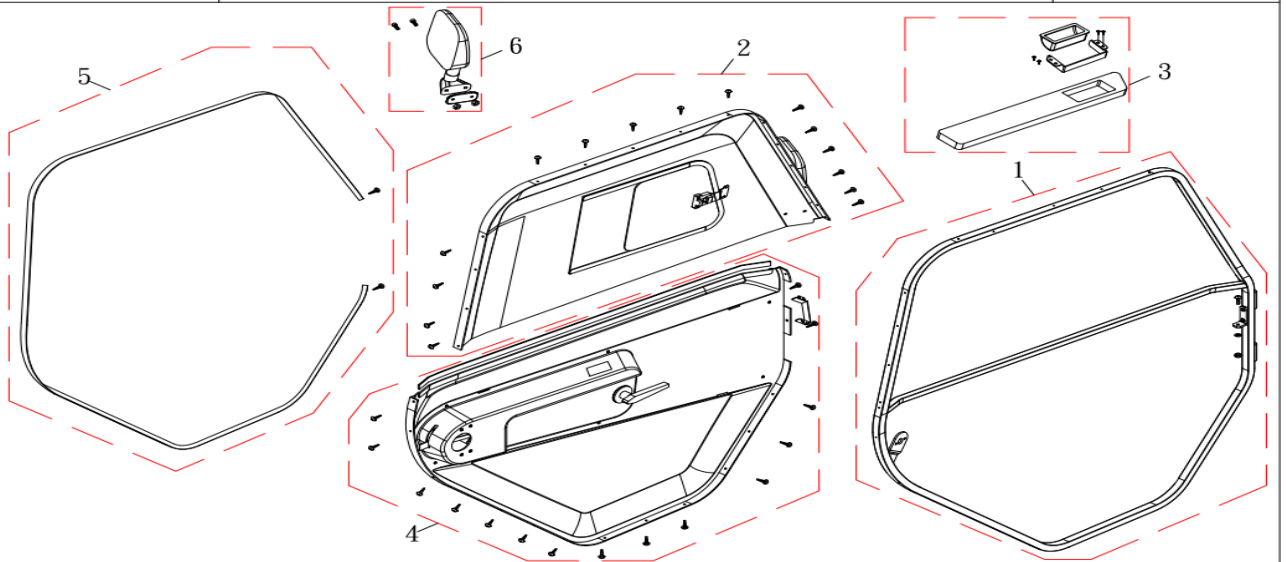


NO	ITEM NUMBER	DESCRIPTION	QTY
1	S-376550-92811	DOOR FRAME COMP. R	1
2	13156	Sidevindu dør høyre	1
3	12591	Dørpute høyre	1
4	S-376530-92811-COLOR	DOOR COVER COMP. R	1
4	S-376530-92821-COLOR	DOOR COVER COMP. R	1
5	S-376900-92830	AROUND THE DOOR SEALING STRIP , R/L 3700L	1
6	12609	Speil 928 høyre	1



## 12. LEFT DOOR

HS-928(全罩式)  
電暖器版. 柴油暖器版

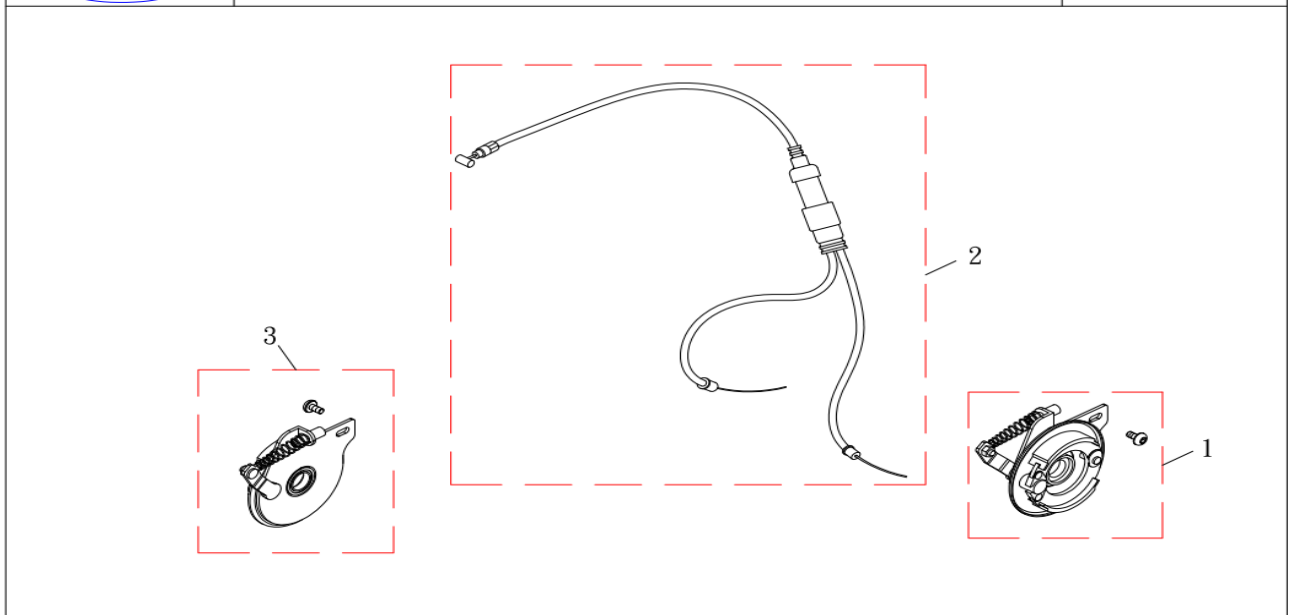


NO	ITEM NUMBER	DESCRIPTION	QTY
1	S-376650-92811	DOOR FRAME COMP. L	1
2	13157	Sidevindu, dør venstre	1
3	12589	Dørpute venstre	1
4	S-376630-92811-COLOR	DOOR COVER COMP. L	1
4	S-376630-92821-COLOR	DOOR COVER COMP. L	1
5	S-376900-92830	AROUND THE DOOR SEALING STRIP , R/L 3700L	1
6	12612	Speil 928 venstre	1



### 13. BREAKS

HS-928(全罩式)  
電暖器版. 柴油暖器版



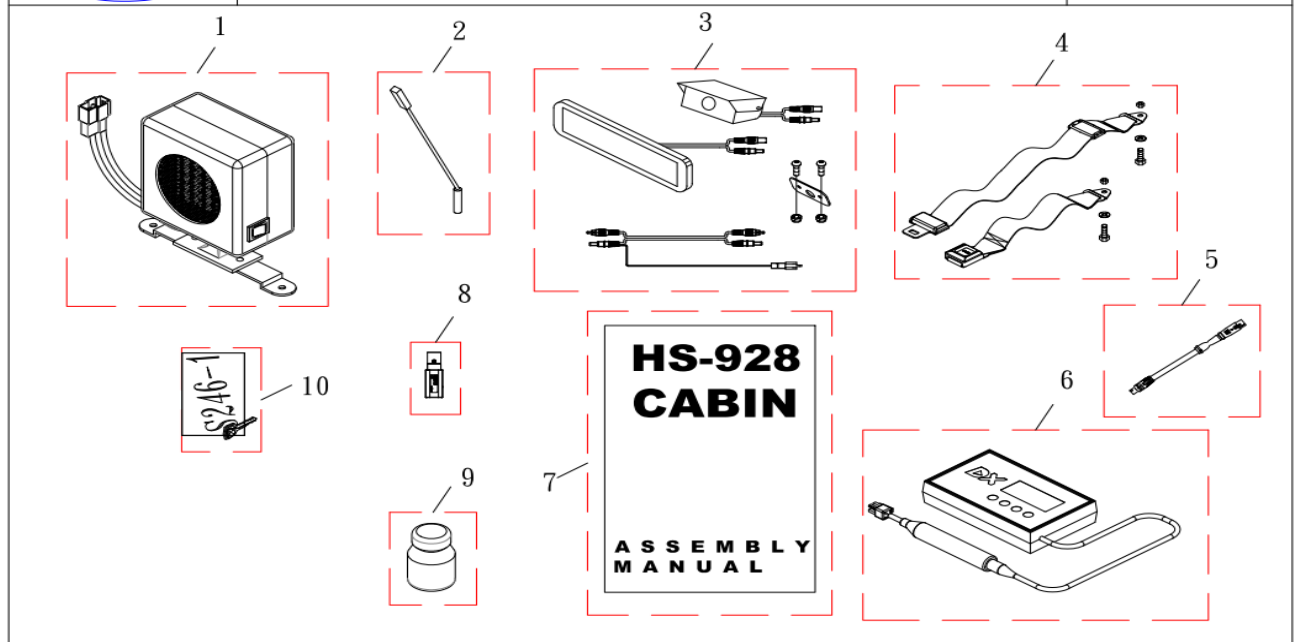
NO	ITEM NUMBER	DESCRIPTION	QTY
1	12607	Bremsewire	1
2	12605	Brems, mekanisme bak høyre	1
3	12606	Brems, mekanisme bak venstre	1





## 14. ACCESSORY

HS-928(全單式)  
電暖器版



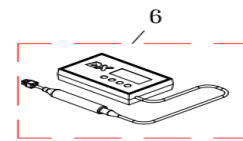
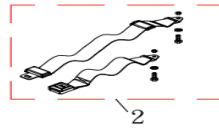
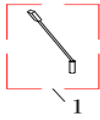
NO	ITEM NUMBER	DESCRIPTION	QTY
1	316900-92801	ELECTRIC HEATERS UNIT	1
2	518900-92800/13144	READING LAMP	1
3	319500-92800/12613	REAR VIEW VIDEO COMP	1
4	371150-91500	SEAT BELT COMP. (搭配571400-92810座椅)	1
4	371150-92800	SEAT BELT COMP. (搭配571400-92810座椅/耐燃)	1
5	514420-92801	WIRE,CHARGER INLET / VCC OUT	1
6	517800-28010	HANDED PROGRAMMER DX-HHP	1
7	581511-92800	ASSEMBLY MANUAL	1
8	514900-82800	USB CHARGER	1
9	7-ASG1	PAINT(SG1)	1
10	576711-92800/12596	KEY	1



## 14. ACCESSORY

HS-928(全單式)

柴油暖器版



NO	ITEM NUMBER	DESCRIPTION	QTY
1	13144	Interiørlampe	1
2	371150-91500	SEAT BELT COMP. (搭配571400-92810座椅)	1
2	371150-92800	SEAT BELT COMP. (搭配571400-92810座椅/耐燃)	1
3	576711-92800/12596	KEY	1
4	514900-82800	USB CHARGER	1
5	7-AWH1	PAINT(WH1)	1
6	517800-28010	HANDED PROGRAMMER DX-HHP	1